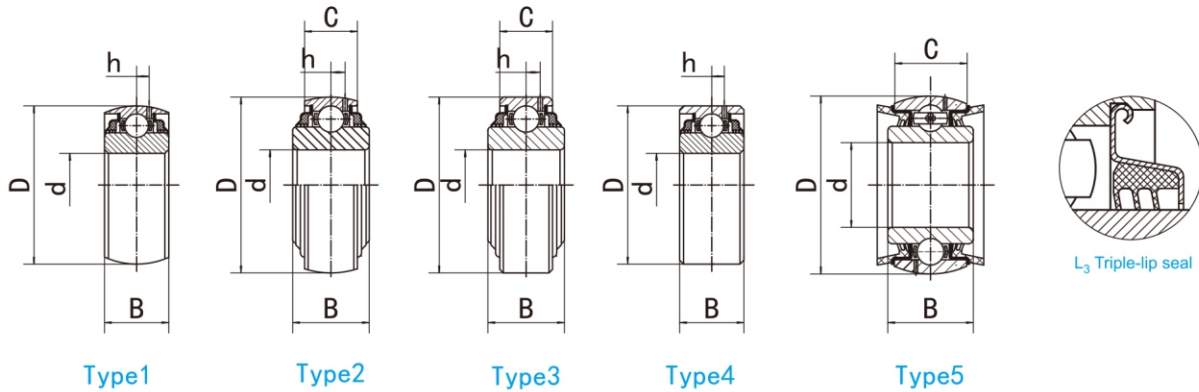


Non Relubricatable Series

Round Bore



Bearing NO.	Type	Dimensions (in./mm)					Dynamic load ratings (N)	Static load ratings (N)	Weight (kg)
		d	D	C	B	h			
GW205PPB7	2	0.9375 23.81	2.0472 52	0.5906 15	1.3780 35	0.1693 4.30	14000	7850	0.202
GW208PPB7	2	1.1880 30.18	3.1496 80	0.9450 24	1.1890 30.2	0.2520 6.40	29500	18100	0.600
GW209PPB2	1	1.7717 45	3.3465 85	1.1890 30.2	1.1890 30.2	0.2598 6.60	32700	20900	0.582
GW209PPB4	1	1.5354 39	3.3465 85	1.1890 30.2	1.1890 30.2	0.2598 6.60	32700	20900	0.603
GW209PPB11	2	1.7811 45.24	3.3465 85	0.8660 22	1.4370 36.5	0.2598 6.60	32700	20900	0.573
GW210PPB2	1	1.9380 49.23	3.5433 90	1.1890 30.2	1.1890 30.2	0.2598 6.60	35000	23200	0.616
GW210PP3	4	1.4766 37.53	3.5433 90	1.1890 30.2	1.1890 30.2	0.2598 6.60	35000	23200	1.022
GW210PPB5	1	1.7850 45.34	3.5433 90	1.1890 30.2	1.1890 30.2	0.2598 6.60	35000	23200	0.648
GW210PPB9	3	1.9449 49.4	3.5433 90	0.9055 23	1.4370 36.5	0.2598 6.60	35000	23200	0.793
GW211PP2	4	2.1890 55.58	3.9370 100	1.3126 33.3	1.3126 33.3	0.2992 7.60	43300	29200	0.880
GW211PPB2	1	2.1890 55.58	3.9370 100	1.3126 33.3	1.3126 33.3	0.2992 7.60	43300	29200	0.810
GW211PPB8	2	2.1890 55.58	3.9370 100	0.9840 25	1.3126 33.3	0.2992 7.60	43300	29200	0.750
GW211PPB9	2	2.1949 55.75	3.9370 100	0.9840 25	1.5630 39.7	0.2992 7.60	43300	29200	0.917
GW211PPB10	1	1.9380 49.23	3.9370 100	1.3126 33.3	1.3126 33.3	0.2992 7.60	43300	29200	1.026
GW211PPB13	2	1.7850 45.34	3.9370 100	0.9840 25	1.3126 33.3	0.2992 7.60	43300	29200	0.985
GW211PPB14	2	2.0150 51.18	3.9370 100	0.9840 25	1.3126 33.3	0.2992 7.60	43300	29200	0.990
GW211PPB20	5	2.1949 55.75	3.9370 100	1.2992 33	1.5748 40	0.3189 8.1	43300	29200	1.038
GW214PP2	4	2.7559 70	4.9213 125	1.5630 39.7	1.5630 39.7	0.3543 9.00	62100	44800	1.902
GW214PPB2	1	2.7559 70	4.9213 125	1.5630 39.7	1.5630 39.7	0.3543 9.00	62100	45000	1.666
GW214PPB6	2	2.6882 68.28	4.9213 125	1.1024 28	2.6874 68.26	0.3543 9.00	62100	44800	1.362
GW309PPB2	2	1.7717 45	3.9370 100	1.0630 27	1.8740 47.6	0.3386 8.60	48600	28900	0.980