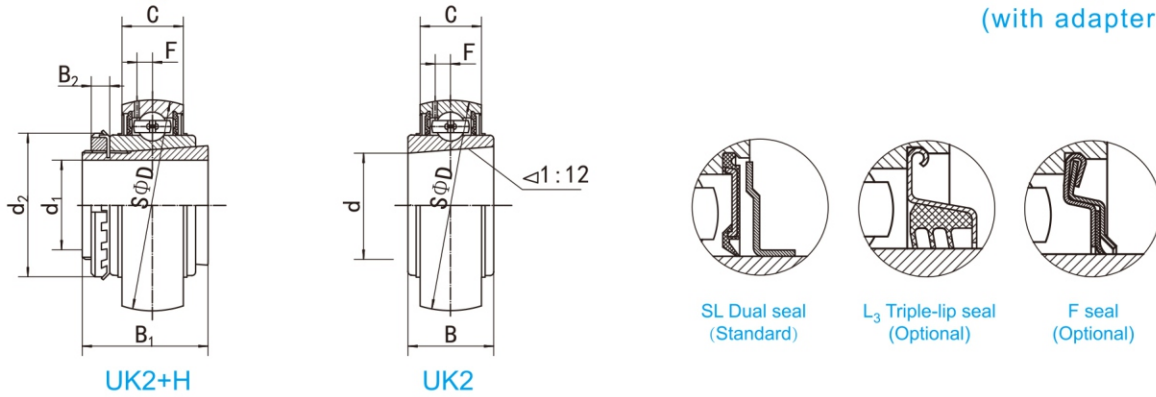


**UK2**(Normal-duty)

**Ball Bearings**  
(with adapter mounted)



Bearing NO.	Dimensions ( mm / in. )									Dynamic load ratings (N)	Static load ratings (N)	Weight (kg)
	d <sub>1</sub>	d	D	B	C	B <sub>1</sub>	B <sub>2</sub>	d <sub>2</sub>	F			
UK205;H2305 205;HE2305	20 3/4	25 0.9843	52 2.0472	23 0.9055	17 0.6693	35 1.378	8 0.315	38 1.496	3.9 0.154	14000	7850	0.24
UK206;H2306 206;HS2306 206;HE2306	25 1	30 1.1811	62 2.4409	26 1.0236	19 0.7480	38 1.496	8 0.315	45 1.772	5.0 0.197	19450	11250	0.36
UK207;H2307 207;HS2307	30 1-1/8	35 1.3780	72 2.8346	29 1.1417	20 0.7874	43 1.693	9 0.354	52 2.047	5.7 0.224	25700	15200	0.52
UK208;H2308 208;HE2308 208;HS2308	35 1-1/4 1-3/8	40 1.5748	80 3.1496	31 1.2205	21 0.8268	46 1.811	10 0.394	58 2.283	6.2 0.244	29500	18100	0.67
UK209;H2309 209;HA2309 209;HE2309 209;HS2309	40 1-7/16 1-1/2 1-5/8	45 1.7717	85 3.3465	31 1.2205	22 0.8661	50 1.969	11 0.433	65 2.559	6.4 0.252	32700	20900	0.77
UK210;H2310 210;HS2310 210;HA2310 210;HE2310	45 1-5/8 1-11/16 1-3/4	50 1.9685	90 3.5433	32 1.2598	24 0.9449	55 2.165	12 0.472	70 2.756	6.5 0.256	35000	23200	0.92
UK211;H2311 211;HS2311 211;HA2311 211;HE2311	50 1-7/8 1-15/16 2	55 2.1654	100 3.937	35 1.378	25 0.9843	59 2.323	12 0.472	75 2.953	7 0.276	43300	29200	1.15
UK212;H2312 212;HS2312	55 2-1/8	60 2.3622	110 4.3307	38 1.4961	27 1.0630	62 2.441	13 0.512	80 3.15	7.6 0.299	47700	32800	1.47
UK213;H2313 213;HA2313 213;HE2313 213;HS2313	60 2-3/16 2-1/4 2-3/8	65 2.5591	120 4.7244	40 1.5748	28 1.1024	65 2.559	14 0.551	85 3.346	8.5 0.335	57200	40000	1.81
UK215;H2315 215;HA2315 215;HE2315	65 2-7/16 2-1/2	75 2.9528	130 5.1181	44 1.7323	30 1.1811	73 2.874	15 0.591	98 3.858	9.2 0.362	66200	49300	2.55
UK216;H2316 216;HA2316 216;HE2316	70 2-11/16 2-3/4	80 3.1496	140 5.5118	45 1.7717	32 1.2598	78 3.071	17 0.669	105 4.134	9.5 0.374	72600	53300	3.08
UK217;H2317 217;HA2317 217;HE2317	75 2-15/16 3	85 3.3465	150 5.9055	46 1.8110	34 1.3386	82 3.228	18 0.709	110 4.331	10.2 0.402	83300	63700	3.70
UK218;H2318 218;HA2318	80 3-3/16	90 3.5433	160 6.2992	47 1.8504	36 1.4173	86 3.386	18 0.709	120 4.724	11.2 0.441	96000	71100	4.34