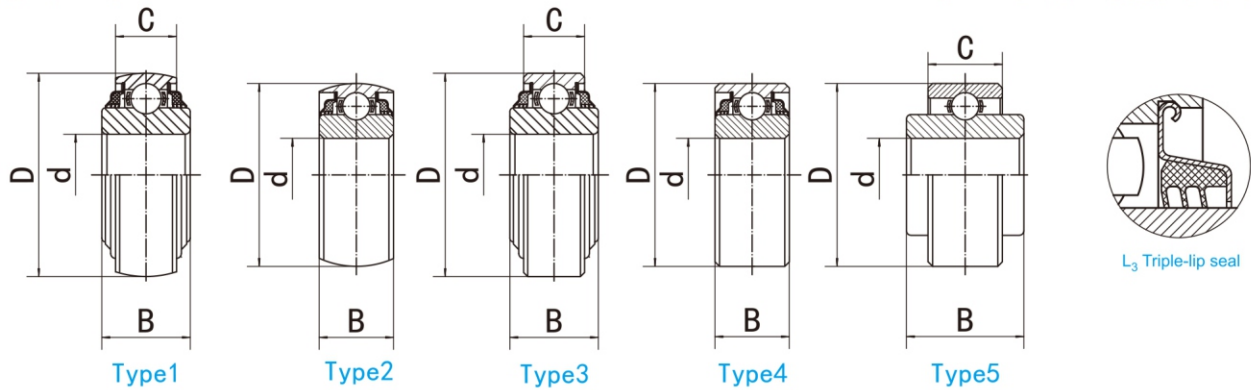


Round Bore

Non Relubricatable Series



Bearing NO.	Type	Dimensions (in./mm)				Dynamic load ratings (N)	Static load ratings (N)	Weight (kg)
		d	D	C	B			
W208PPB2	1	1.5005 38.11	3.1496 80	0.7090 18	1.6913 42.96	29500	18100	0.598
W208PPB7	1	1.1800 30.18	3.1496 80	0.7090 18	1.1890 30.2	29500	18100	0.558
W208PPB10	3	1.5005 38.11	3.1496 80	0.8268 21	1.6913 42.96	29500	18100	0.817
W208PPB23	1	1.5005 38.11	3.1496 80	1.1890 30.2	1.6913 42.96	29500	18100	0.817
W209PPB2	2	1.7717 45	3.3465 85	1.1890 30.2	1.1890 30.2	32700	20900	0.566
W209PPB4	2	1.5350 39	3.3465 85	1.1890 30.2	1.1890 30.2	32700	23200	0.659
W209PPB11	1	1.7811 45.24	3.3465 85	0.8660 22	1.4370 36.5	32700	23200	0.573
W210PP2	4	1.9380 49.23	3.5433 90	1.1890 30.2	1.1890 30.2	35000	23200	0.667
W210PPB2	2	1.9390 49.23	3.5433 90	1.1890 30.2	1.1890 30.2	35000	23200	0.708
W210PPB5	2	1.7850 45.34	3.5433 90	1.1890 30.2	1.1890 30.2	35000	23200	0.749
W210PP8	4	1.5300 38.86	3.5433 90	1.1890 30.2	1.1890 30.2	35000	23200	0.836
W211PP2	4	2.1800 55.58	3.9370 100	1.3110 33.3	1.3110 33.3	43300	29200	1.010
W211PPB2	2	2.1800 55.58	3.9370 100	1.3110 33.3	1.3110 33.3	43300	29200	0.810
W214PP2	4	2.7559 70	4.9213 125	1.5630 39.7	1.5630 39.7	62100	44800	1.902
W214PPB2	2	2.7559 70	4.9213 125	1.5630 39.7	1.5630 39.7	62100	44800	1.667
W214PPB9	1	2.7661 70.26	4.9213 125	1.1024 28	1.7500 44.45	62100	44800	1.902
WIR210-31	5	1.9370 49.2	2.5430 90	0.7870 20	1.9370 49.2	35000	23200	0.740
WIR211-33	5	2.0630 52.39	3.9370 100	0.8270 21	2.1890 56.6	43300	29200	1.122
WIR212-39	5	2.4370 61.91	4.3310 110	0.8660 22	2.4370 61.9	47700	32800	1.249