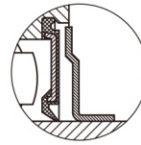
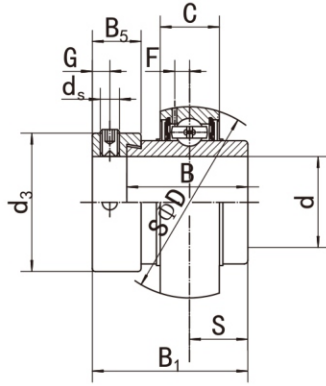


Ball Bearings

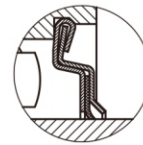
HC3 (Heavy-duty)



SL Dual seal (Standard)



L₃ Triple-lip seal (Optional)



F seal (Optional)

Bearing NO.	Dimensions (mm / in.)											Dynamic load ratings (N)	Static load ratings (N)	Weight (kg)
	d	D	B ₁	B	C	S	d _s	G	B ₅	d ₃	F			
HC305	25	62	46.8	34.9	20	16.7	M8x1	6	15.9	42.8	5.4	22400	11500	0.43
305-13	13/16													0.49
305-14	7/8	2.4409	1.843	1.3740	0.7874	0.657	5/16-24UNF	0.236	0.626	1.685	0.213			0.48
305-15	15/16													0.46
305-16	1													0.44
HC306	30	72	50	36.5	23	17.5	M8x1	7	17.5	50	5.7	26500	14900	0.69
306-17	1-1/16													0.71
306-18	1-1/8	2.8346	1.969	1.4370	0.9055	0.689	5/16-24UNF	0.276	0.689	1.969	0.224			0.68
306-19	1-3/16													0.66
HC307	35	80	51.6	38.1	25	18.3	M8x1	7	17.5	55	6.2	33300	19100	0.80
307-20	1-1/4													0.87
307-21	1-5/16	3.1496	2.031	1.5000	0.9843	0.720	5/16-24UNF	0.276	0.689	2.165	0.244			0.83
307-22	1-3/8													0.80
307-23	1-7/16													0.77
HC308	40	90	57.1	41.3	27	19.8	M10x1	8	20.6	63.5	7.0	40600	23700	1.08
308-24	1-1/2	3.5433	2.248	1.6260	1.0630	0.780	3/8-24UNF	0.315	0.811	2.500	0.276			1.17
308-25	1-9/16													1.13
HC309	45	100	58.7	42.9	30	19.8	M10x1	8	20.6	70.0	7.8	48600	28900	1.46
309-26	1-5/8													1.54
309-27	1-11/16	3.9370	2.311	1.6890	1.1811	0.780	3/8-24UNF	0.315	0.811	2.756	0.307			1.49
309-28	1-3/4													1.44
HC310	50	110	66.6	49.2	32	24.6	M10x1	9	22.2	76.2	8.5	62000	38000	1.86
310-29	1-13/16													2.00
310-30	1-7/8	4.3307	2.622	1.9370	1.2598	0.969	3/8-24UNF	0.354	0.874	3.000	0.335			1.95
310-31	1-15/16													1.88
HC311	55	120	73.0	55.6	34	27.8	M10x1	9	22.2	83	9.2	71600	44600	2.34
311-32	2													2.53
311-33	2-1/16	4.7244	2.874	2.1850	1.3386	1.094	3/8-24UNF	0.354	0.874	3.268	0.362			2.44
311-34	2-1/8													2.38
311-35	2-3/16													2.30
HC312	60	130	79.4	61.9	36	30.95	M10x1	9	23.9	89	9.8	81600	51800	2.94
312-36	2-1/4													3.08
312-37	2-5/16	5.1181	3.126	2.4370	1.4173	1.219	3/8-24UNF	0.354	0.941	3.504	0.386			3.02
312-38	2-3/8													2.94
312-39	2-7/16													2.81
HC313	65	140	85.2	64.6	38	32.55	M12x1.5	10.5	27	97	10.5	93700	60400	3.64
313-40	2-1/2	5.5118	3.354	2.5433	1.4961	1.282	1/2-20UNF	0.413	1.063	3.819	0.413			3.73
313-41	2-9/16													3.72
HC314	70	150	92.1	68.3	40	34.15	M12x1.5	12	30.2	102	11.1	103600	67100	4.37
314-42	2-5/8													4.69
314-43	2-11/16	5.9055	3.626	2.6890	1.5748	1.344	1/2-20UNF	0.472	1.189	4.016	0.437			4.60
314-44	2-3/4													4.49
HC315	75	160	100	74.6	42	37.3	M16x1.5	13	31.8	113	11.8	112800	75700	5.30
315-45	2-13/16													5.95
315-46	2-7/8	6.2992	3.937	2.9370	1.6535	1.469	5/8-18UNF	0.512	1.252	4.449	0.456			5.81
315-47	2-15/16													5.72
315-48	3													5.63
HC316	80	170	106.4	81	44	40.5	M16x1.5	13	31.8	119	12.5	123500	88200	6.66
316-49	3-1/16													6.72
316-50	3-1/8	6.6929	4.189	3.1890	1.7323	1.594	5/8-18UNF	0.512	1.252	4.685	0.492			6.67
316-51	3-3/16													6.58
HC317	85	180	109.5	84.1	46	42.05	M16x1.5	13	31.8	127	13.1	133000	97500	7.95
317-52	3-1/4													8.12
317-53	3-5/16	7.0866	4.311	3.3110	1.8110	1.656	5/8-18UNF	0.512	1.252	5.000	0.516			7.98
317-55	3-7/16													7.66
HC318	90	190	115.9	87.3	48	43.65	M20x1.5	14.5	36.5	133	13.8	144700	110600	9.05
318-55	3-7/16	7.4803	4.563	3.4370	1.8898	1.719	3/4-16UNF	0.571	1.437	5.236	0.543			9.34
318-56	3-1/2													9.11
HC319	95	200	122.3	93.7	50	38.9	M20x1.5	14.5	36.5	140	14.7	155600	122000	10.34
319-58	3-5/8													10.56
319-59	3-11/16	7.8740	4.815	3.6890	1.9685	1.531	3/4-16UNF	0.571	1.437	5.512	0.579			10.38
317-60	3-3/4													10.19
HC320	100	215	128.6	100	54	50	M20x1.5	14.5	36.5	146	15.7	173000	141000	12.43
320-64	4	8.4646	5.063	3.9370	2.1260	1.969	3/4-16UNF	0.571	1.437	5.748	0.618			12.18